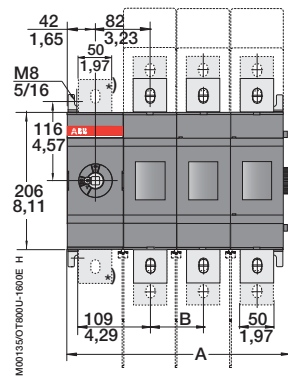
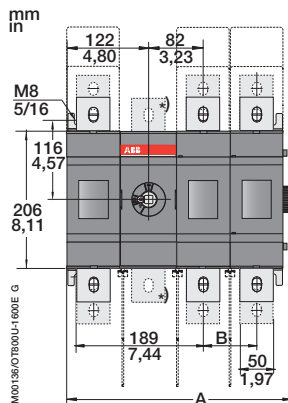
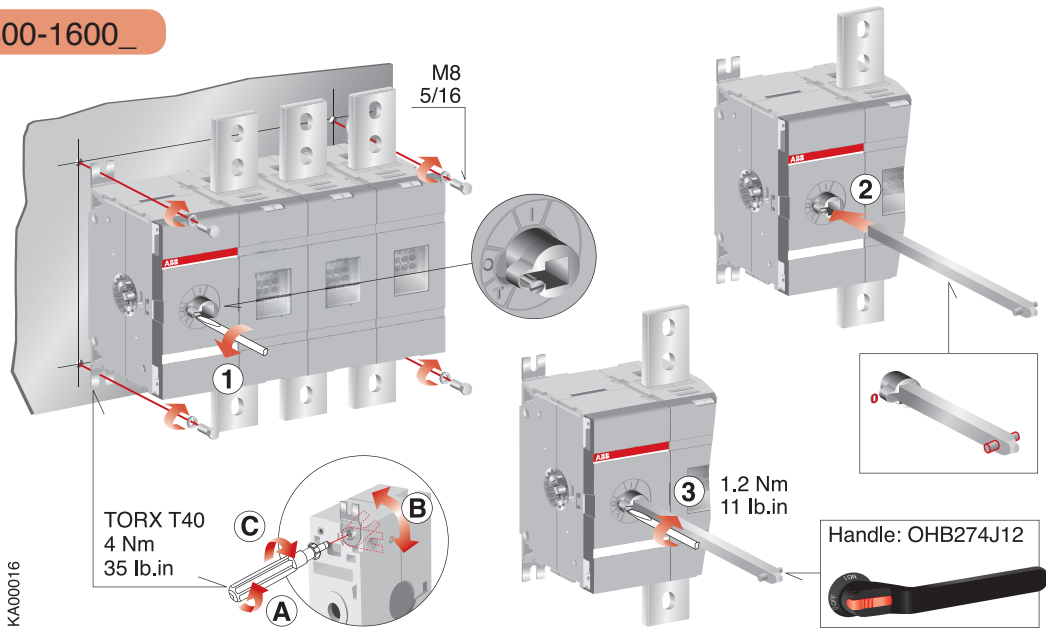


OT1000-1600

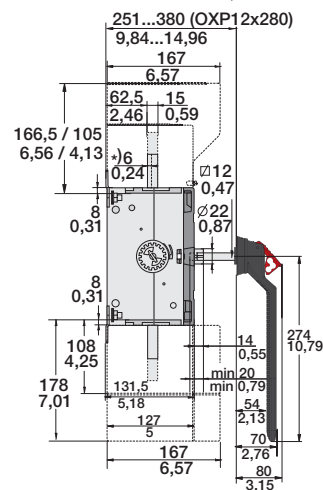
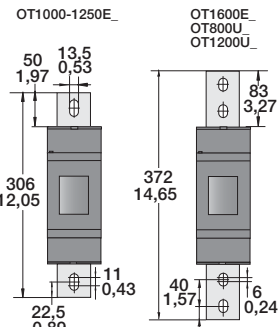
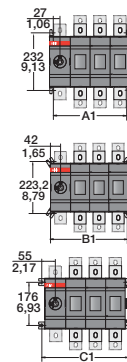
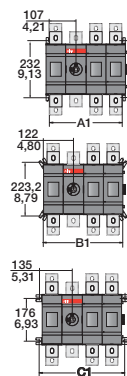
1SCC301047M0205

Document no. 34OT1000-1600 E

OT800-1600_



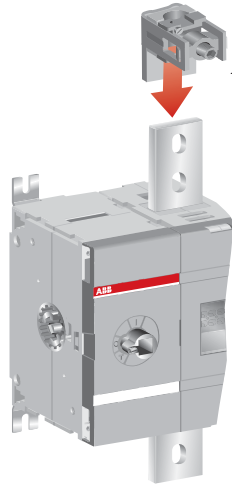
→ N3 types



OT 1000/ 1250/ 1600E_ , OT 800/ 1200U_													
		01	02	03	04	11	12	13	22	03W4	04W4	03W8	04W8
A	mm	174.50	254.50	334.50	414.50	254.50	334.50	414.50	414.50	454.50	594.50	544.50	729.50
	in	6,87	10,02	13,17	16,32	10,02	13,17	16,32	16,32	17,89	23,41	21,44	28,72
B	mm		80	80	80		80	80	80	140	140	185	185
	in		3,15	3,15	3,15		3,15	3,15	3,15	5,51	5,51	7,28	7,28
A1	mm	134	214	294	374	214	294	374	374	414	554	504	689
	in	5,28	8,43	11,57	14,72	8,43	11,57	14,72	14,72	16,30	21,81	19,84	27,13
B1	mm	164	244	324	404	244	324	404	404	444	584	534	719
	in	6,46	9,61	12,76	15,91	9,61	12,76	15,91	15,91	17,48	22,99	21,02	28,31
C1	mm	190	270	350	430	270	350	430	430	470	610	560	745
	in	7,48	10,63	13,78	16,93	10,63	13,78	16,93	16,93	18,50	24,02	22,05	29,33

OT1000-1600

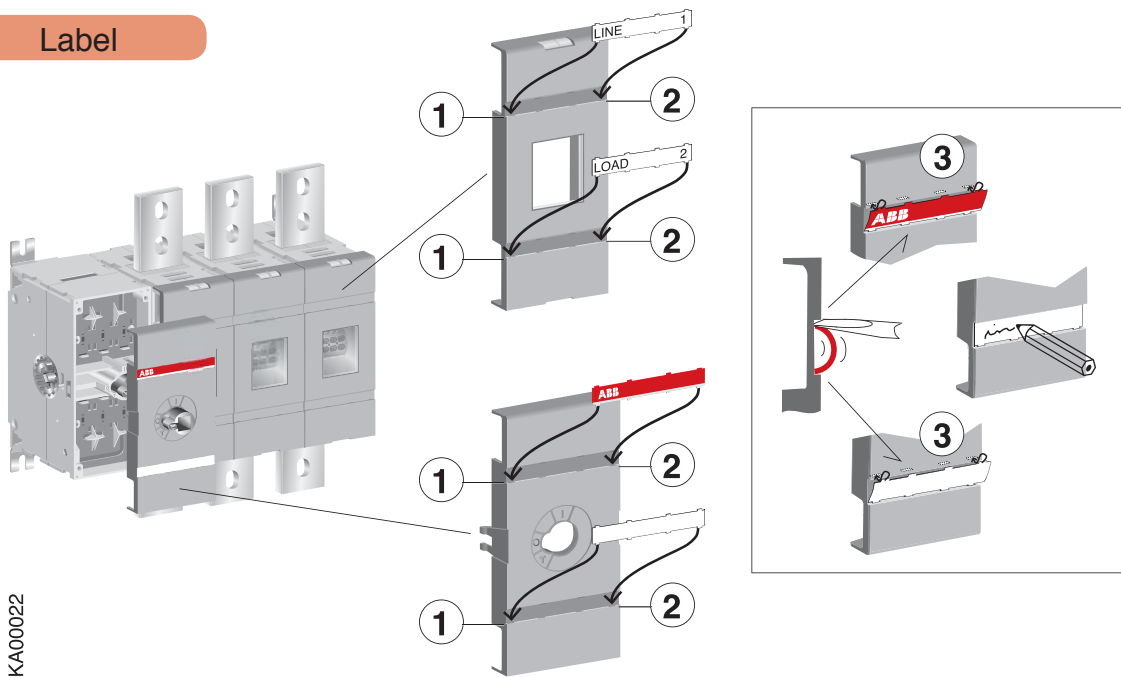
OZX_



OT1000-1600 OZXB3 OZXB4 OZXB5 OZXB6 OZXB7L
OT800U_ OZXA800 OZXA806
OT1200U_ OZXA1200 OZXA1206

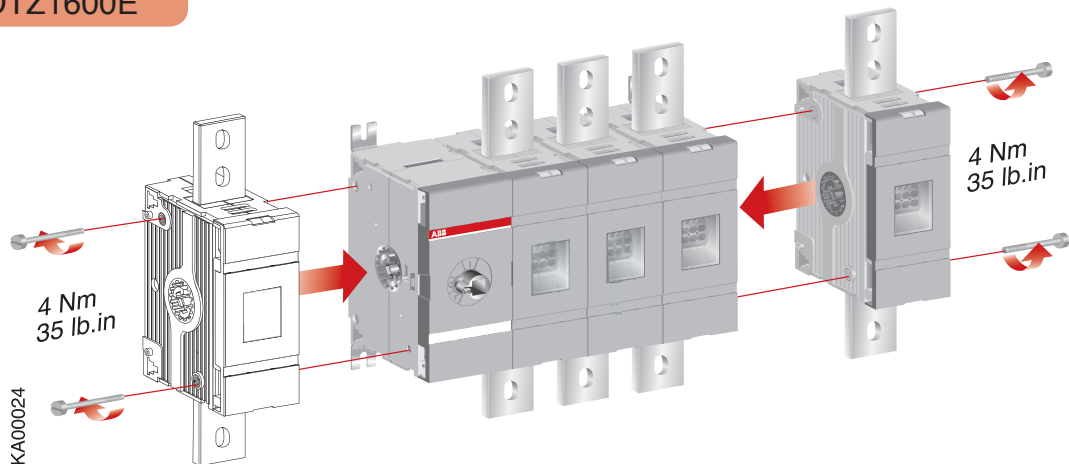
KA00019

Label



KA00022

OTZ1600E



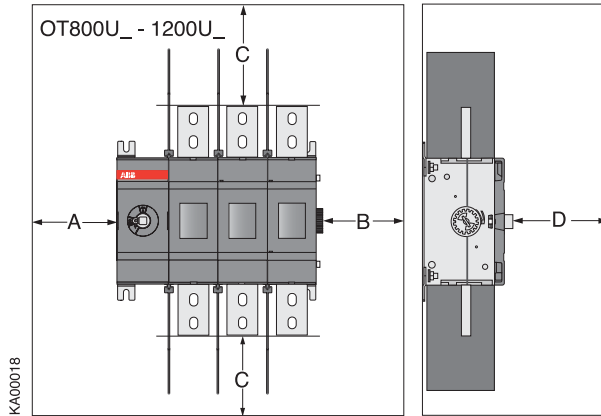
KA00024

OT1000-1600

Clearances per UL98

Minimum enclosure size or equivalent volume

Current	800 A	1200 A
Height mm/in	1220/48	700/27,5
Width mm/in	610/24	900/35,4
Depth mm/in	305/12	400/15,7



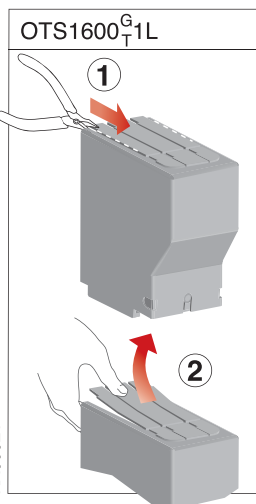
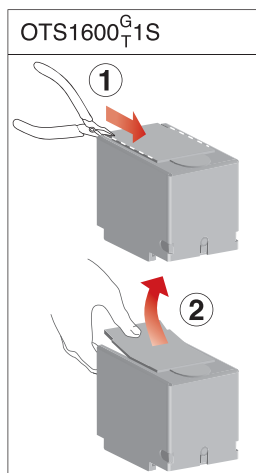
KA00018

A	0
B	13 mm/0,5 in
D	36 mm/1,4 in

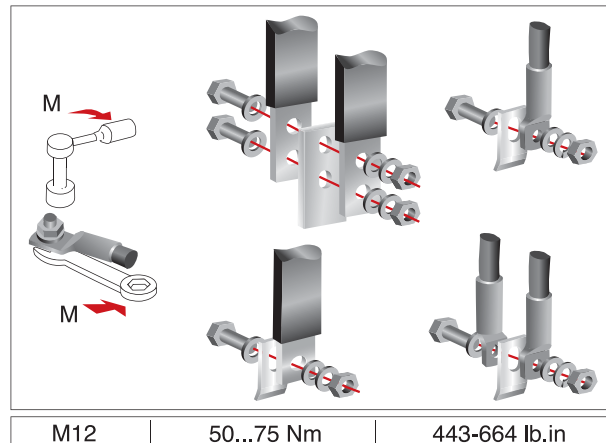
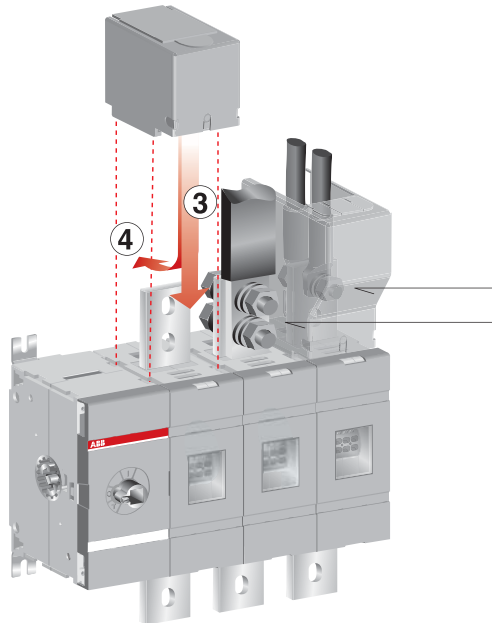
Cable size	
AWG	C
2	100 mm/4 in
1	100 mm/4 in
1/0	125 mm/5 in
2/0	150 mm/6 in
3/0 - 4/0	175 mm/7 in

Cable size	
MCM	C
250	200 mm/8 in
300	250 mm/10 in
350	300 mm/12 in
400	330 mm/13 in
500	356 mm/14 in
600	381 mm/15 in

OTS_



KA00021



M12

50...75 Nm

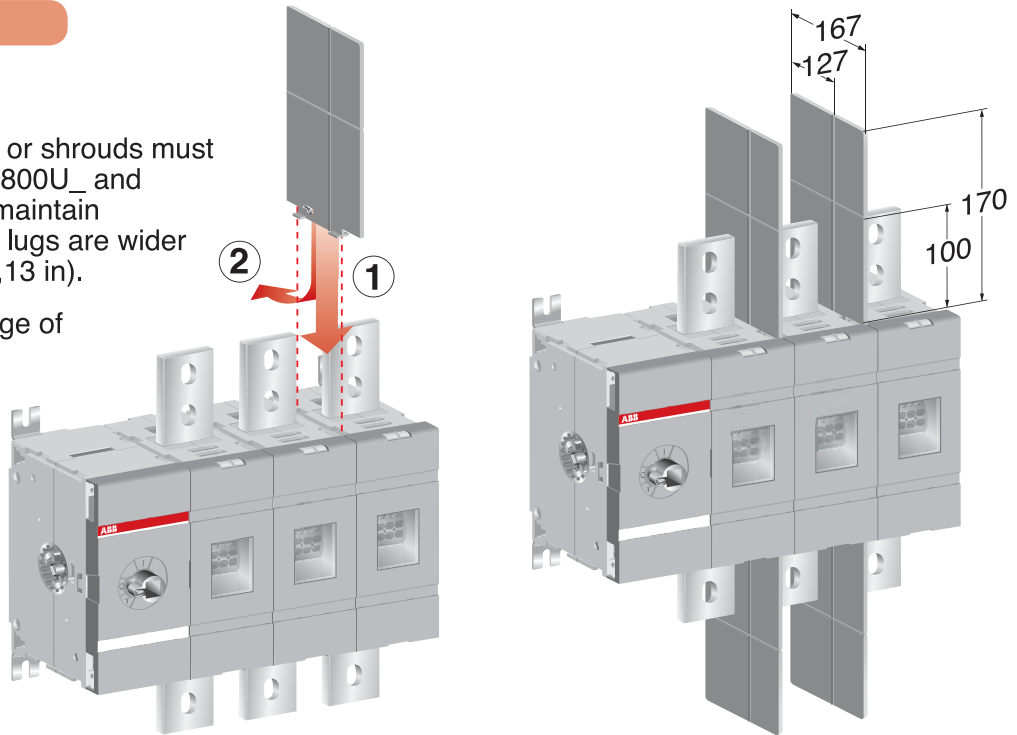
443-664 lb.in

OT1000-1600

OTB_

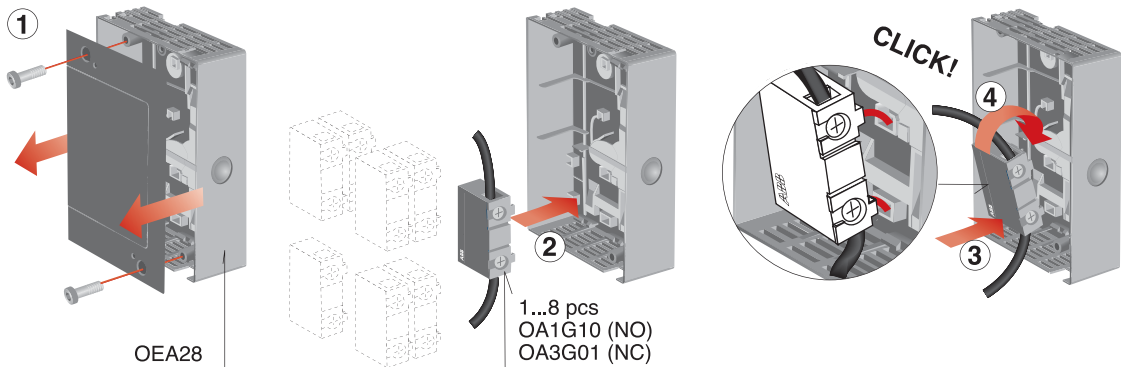
Barriers 68912 or shrouds must be used on OT800U_ and OT1200U_ to maintain 1" clearance, if lugs are wider than 54 mm (2,13 in).

Type for package of 6 barriers is OTB1600/6.

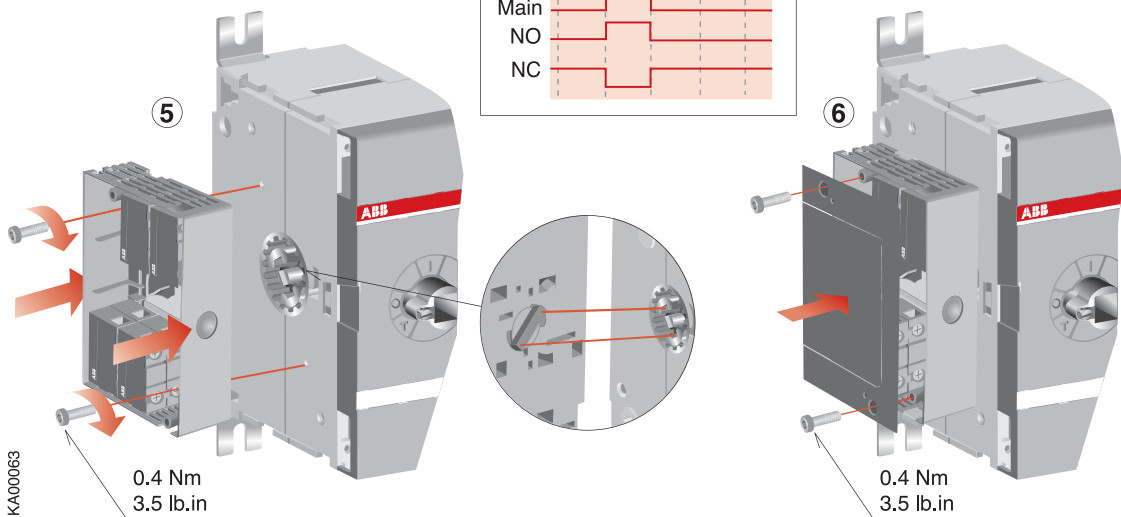


KA00020

OEA28



	0	1	0	Test	0
Main	[Diagram showing Main terminal block connection]				
NO	[Diagram showing NO terminal block connection]				
NC	[Diagram showing NC terminal block connection]				

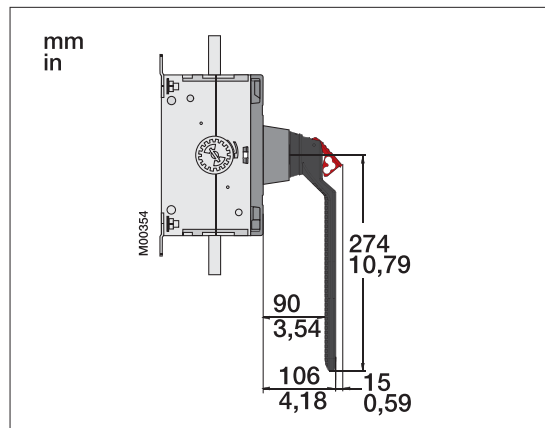
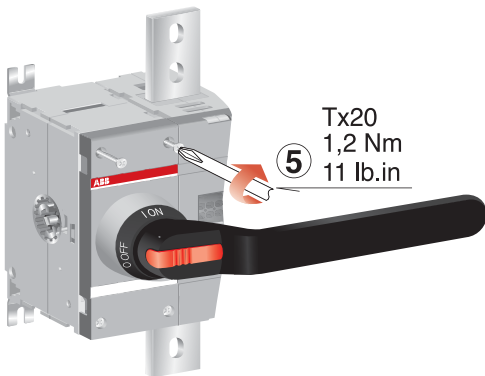
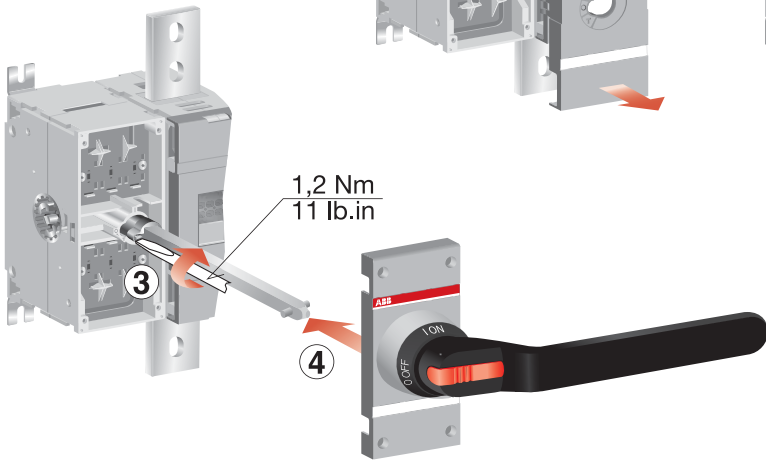
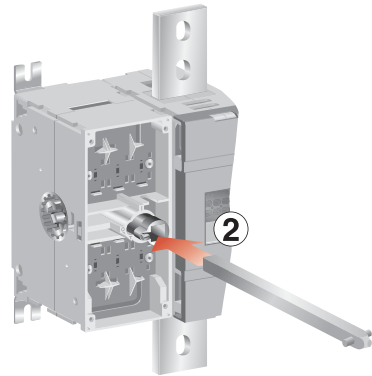
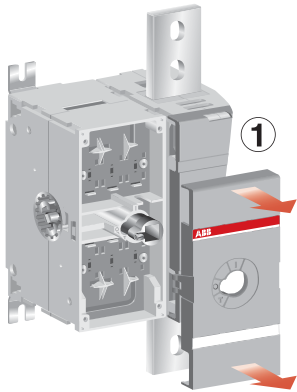
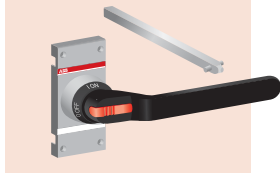


KA00063

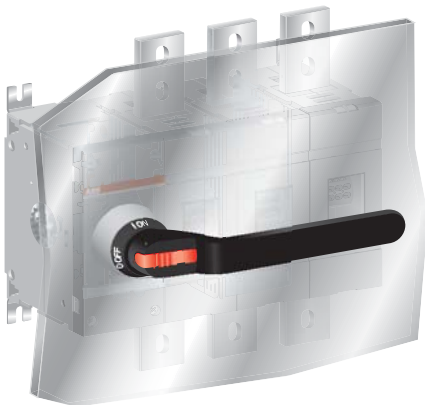
OT1000-1600

OTV_

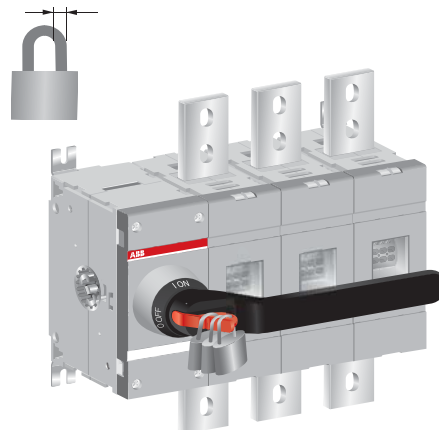
OTV1000EK



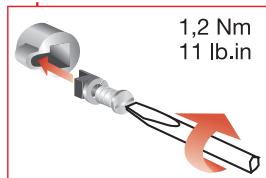
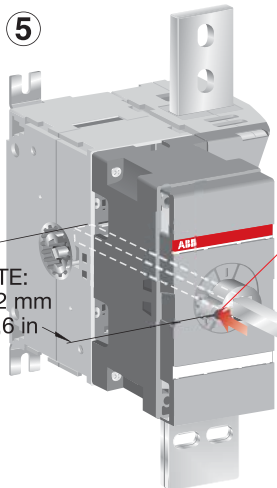
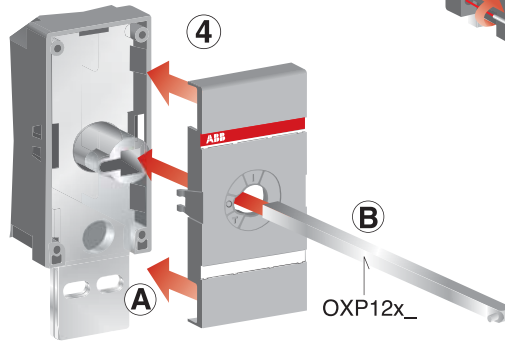
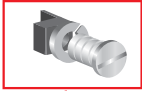
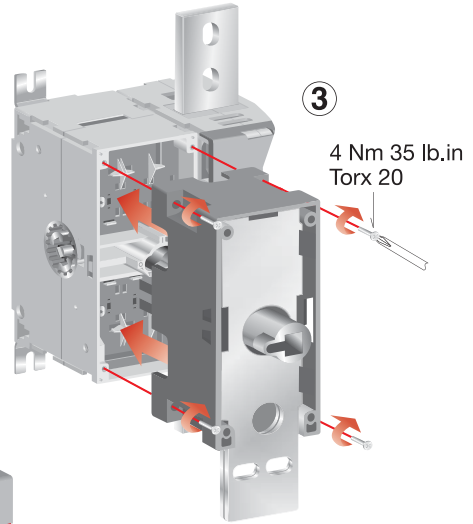
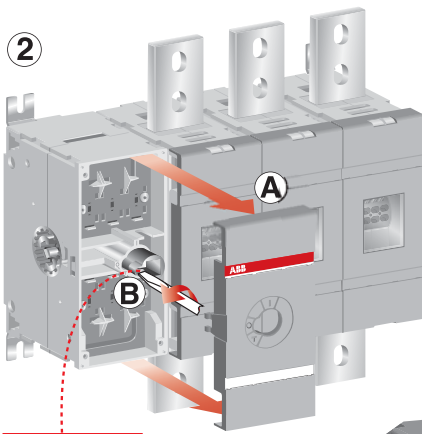
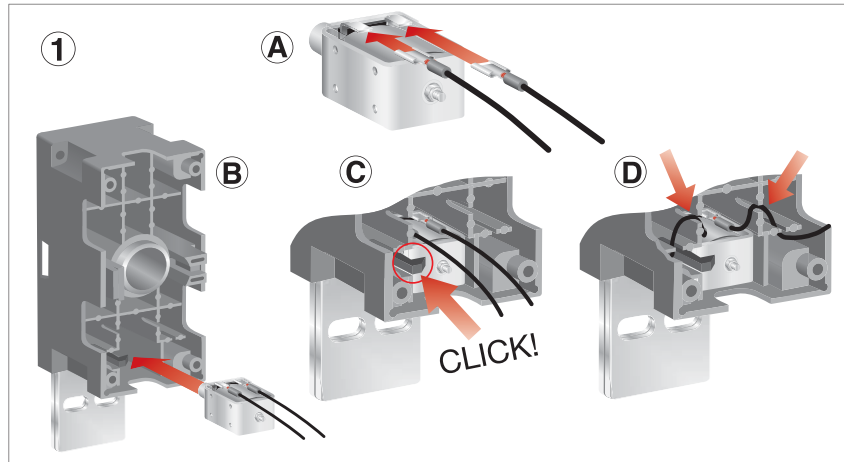
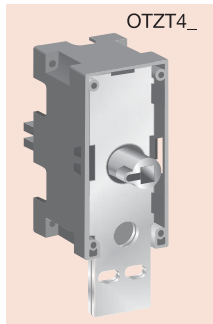
Note: Use protection against direct contact. For example:



Ø5...Ø10 mm

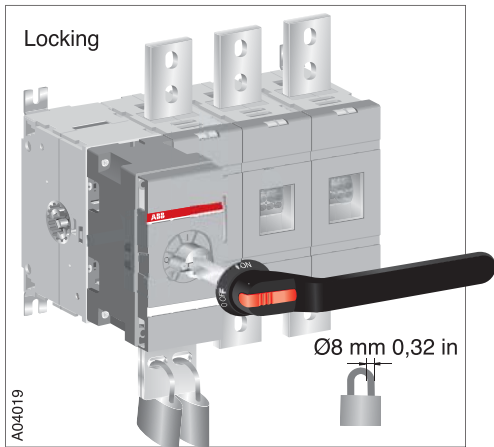


OTZT4

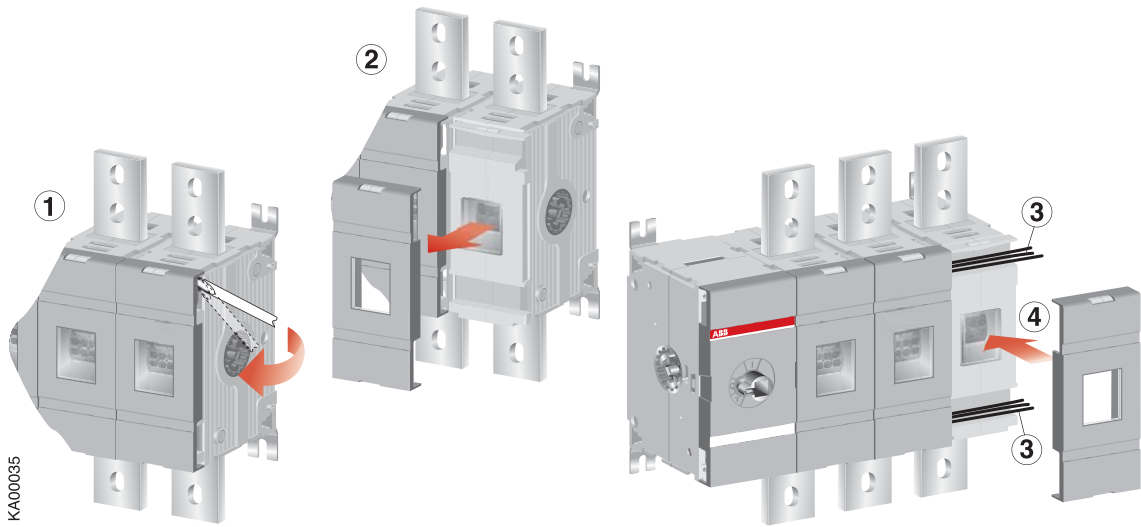


△ NOTE:
min. 92 mm
3,6 in

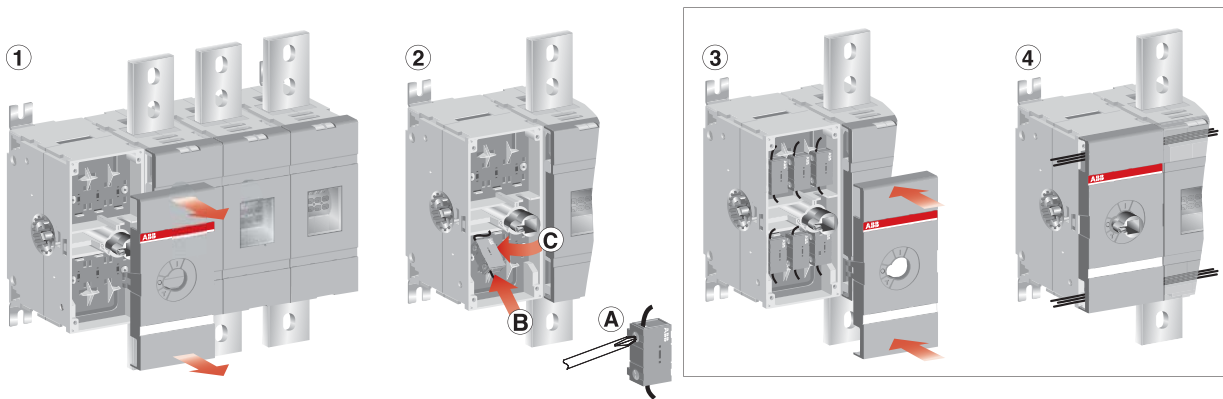
Handle: OHB274J12



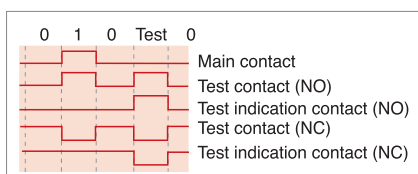
Control wiring



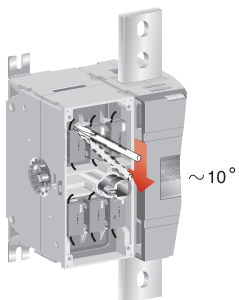
OA_



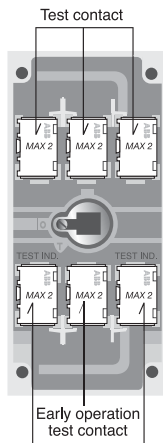
or



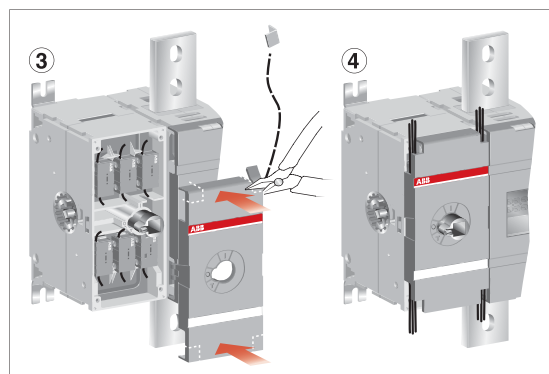
Remove



NO: OA1G10
NC: OA3G01



Test indication contact



OT1000-1600

OT_N3 & OXN1250T

